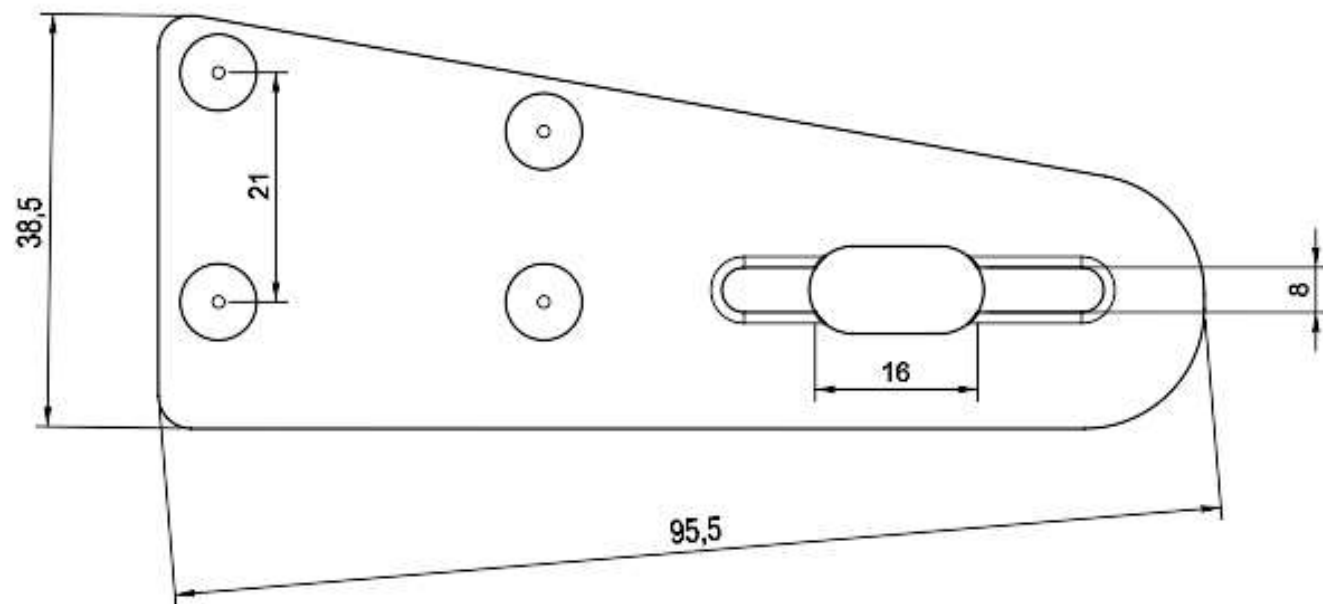


Dept.	Technical reference	Created by	Approved by
		Document type	Document status
		Title Cuneo	DWG No.
		Rev.	Date of issue
			Sheet 1/1



Depc.	Technical reference	Created by	Approved by
		Document type	Document status
		Title Disegno Tecnico Innesto femmina	DWG No.
		Rev.	Date of issue
		Sheet	1/1